

Product : Color monitor
Model : CFX1577 Model
Buyer : All subsidiaries

Bulletin No. 98-MON-E0001
Bulletin Date 1998.1.20
ECN Date : 1998.1.19

SUBJECT : CFX-1577, Countermeasure for centering focus problem

Background : Sometime screen flickering or center focus problem at field.
 (Symptom)

Cause : Internal core of L801(Focus Trans Coil)is saturated due to over current of suspend mode.

Solution : Change focus schematic diagram

Application Date : JAN - 19 -1998

(Interchangeability Code : * I.C)

| Location No. | OLD (before) Parts | | NEW (changed) Parts | | * |
|--------------|--------------------|-------------|---------------------|--------------------|-----|
| | SEC Code | Description | SEC Code | Description | I.C |
| None | | | 2202-000394 | C-MYLAR 102J/100V | E |
| None | | | 0401-000005 | DIODE-SIG,1N4148DO | E |

| Type | A type | | B type | | C type | | D type | | E type | F type |
|--------------------------------|--|--|--|--|--|--------------------------------|--------------------------------|--|--------|--------|
| Interchange Type Code (* I.C) | OLD → Early (Parts) (Prod.) NEW → Late | OLD → Early (Parts) (Prod.) NEW → Late | OLD → Early (Parts) (Prod.) NEW → Late | OLD → Early (Parts) (Prod.) NEW → Late | OLD → Early (Parts) (Prod.) NEW → Late | Parts Addition (X ;æ New) | Parts deletion (Old ;æ X) | | | |

Application Reference () Only Defected sets (O) Whole sets ()

Attachment Schematic Diagram (O) Component Lay-out (O) Exploded View ()
 Mechanical Diagram () None () Others (o)

Product Month : JAN- 19-1998

Serial No. (~ from)

Published by : G.M.Chung

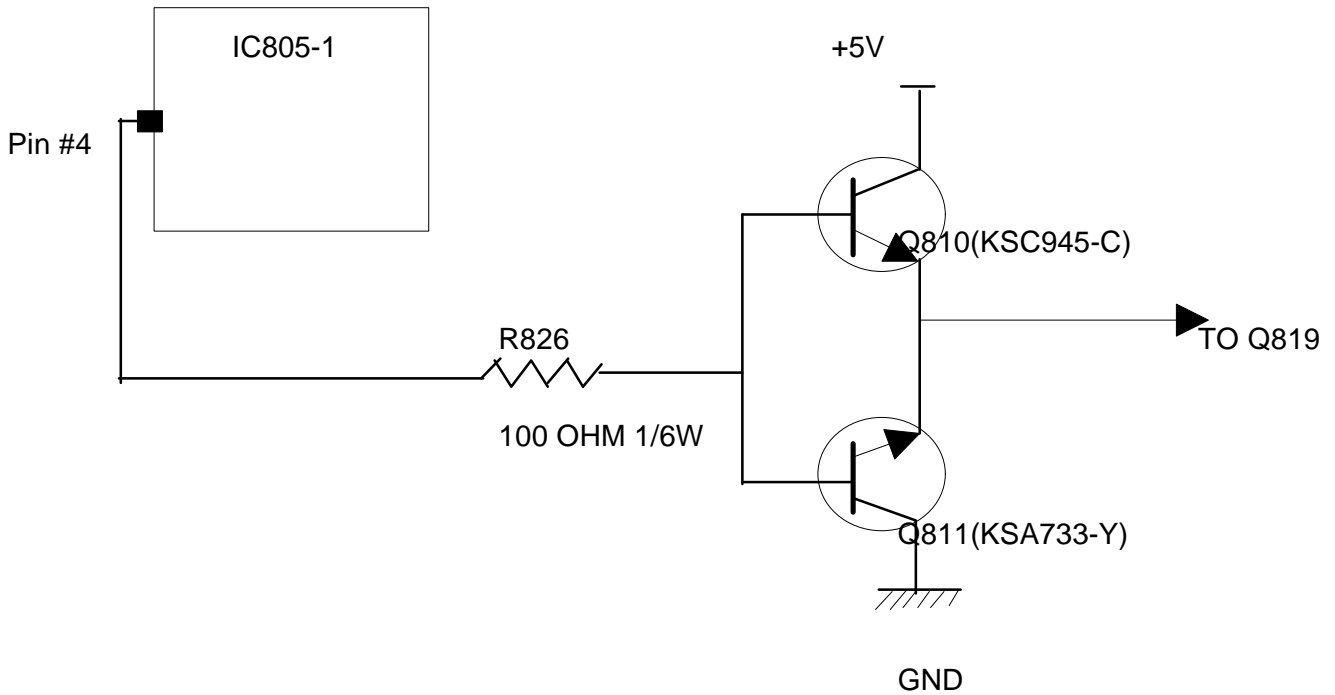
Checked by J.U.Lee

Approved by B.W.Kang

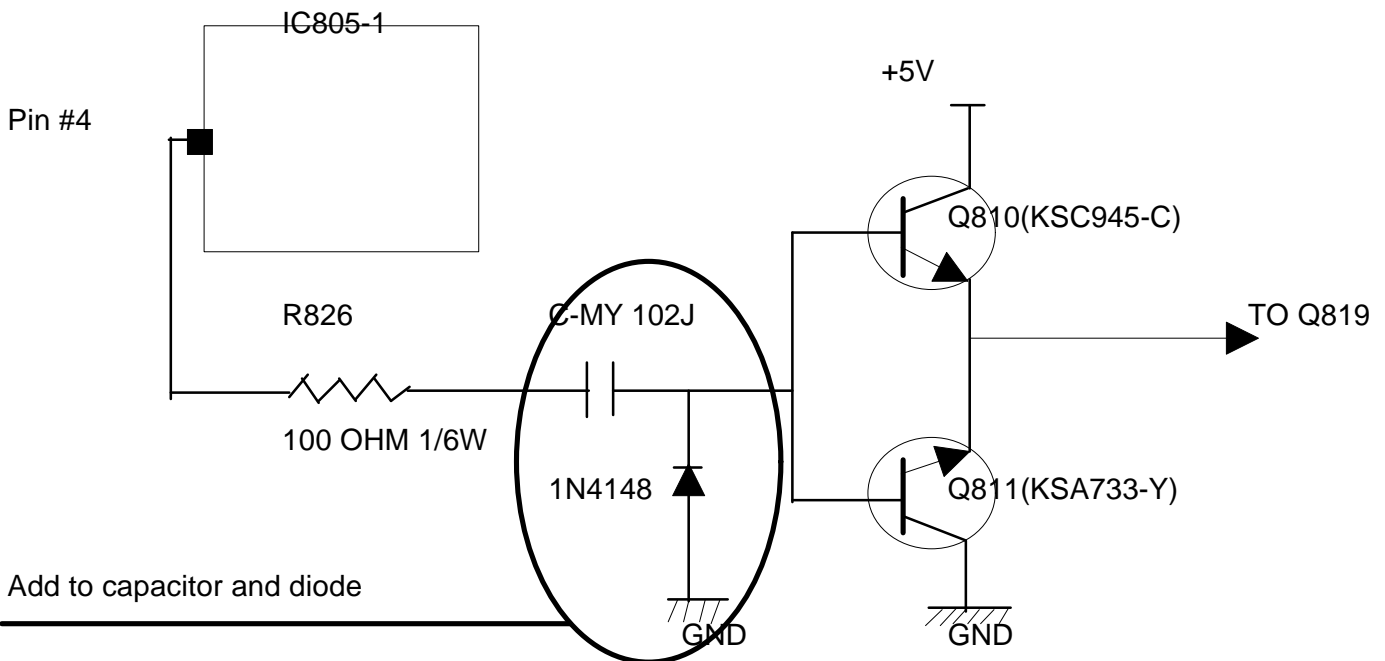
Additional information

98-MON-E0001

Before schematic Diagram



After Schematic Diagram



Additional information

98-MON-E0001

Bottom view of video PCB

